

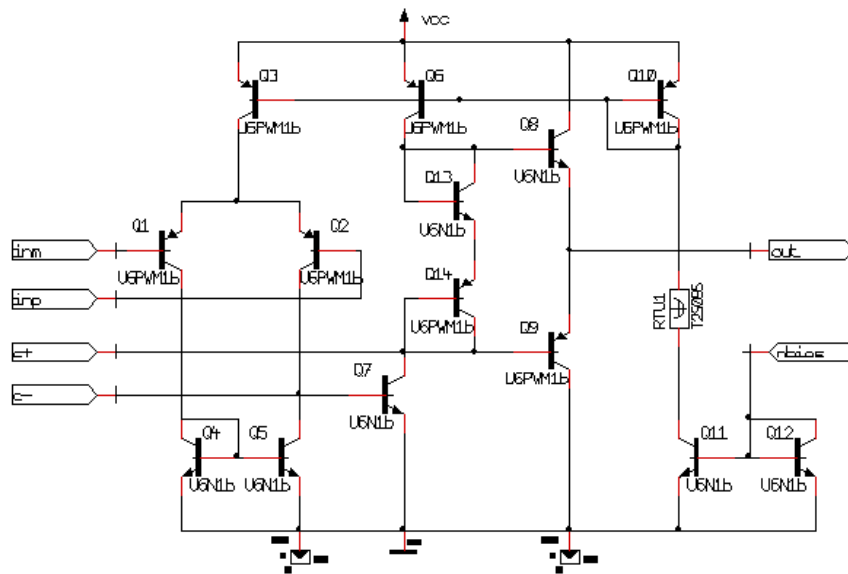
UNIVERSAL OPERATIONAL AMPLIFIER OP220P

The universal OpAmp OP220P has a very small layout of only $(129.8 \times 156.6)\mu\text{m}^2$.

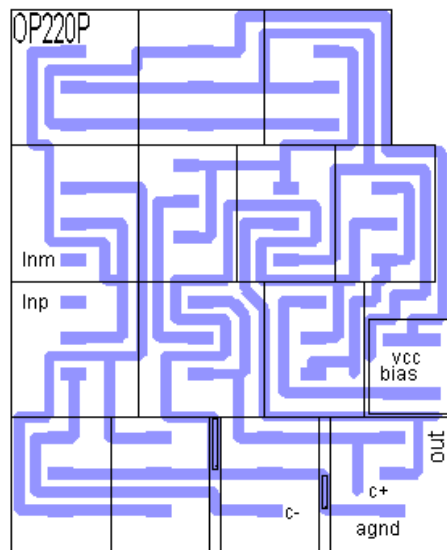
Specification of the OP220P

	Conditions	min.	typ.	max.	Unit
Bias current I_{bias}	$V_{\text{cc}} = 5\text{V}$		5	20	μA
Input voltage V_{in}	$V_{\text{cc}} = 5\text{V}$	0.85		4.15	V

Schematics



Layout



Cell size $129.8 \mu\text{m} \times 156.6 \mu\text{m}$